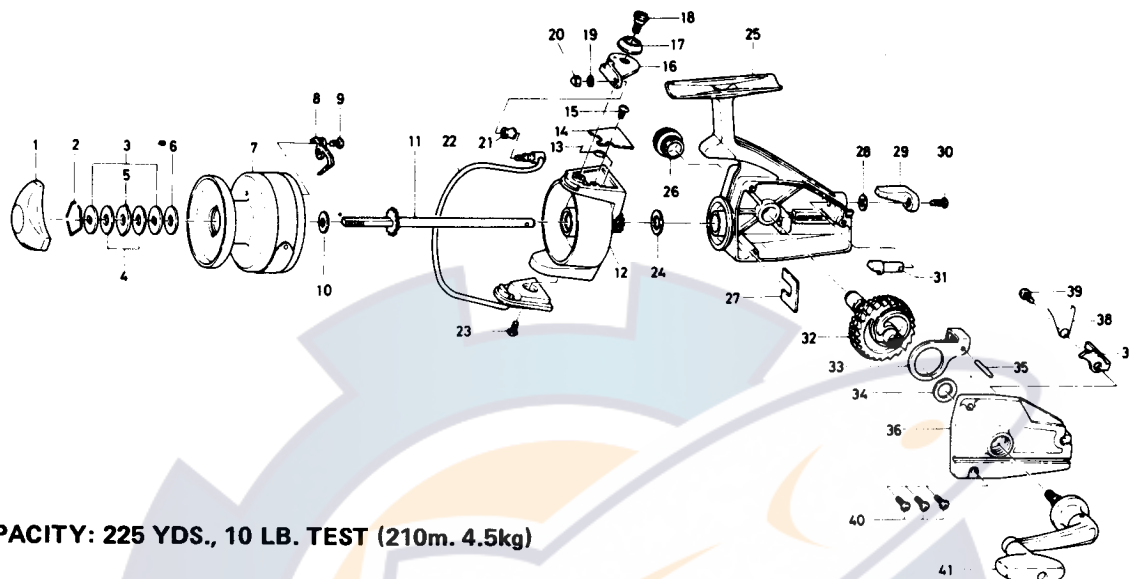


SPINNING REEL B-150RL



LINE CAPACITY: 225 YDS., 10 LB. TEST (210m. 4.5kg)

Key No. 2 ~ 9

6-731-1410 Spool assembly \$7.00

Key No.	Parts No.	Parts Name	Price Per Piece	Key No.	Parts No.	Parts Name	Price Per Piece
1	6-740-2103	Drag knob	\$2.00	22	6-725-1033	Bail	\$1.75
2	6-170-4001	Drag washer retainer	.10	23	6-351-6601	Bail holder screw	.10
3	6-373-2502	Drag D washer	.15	24	6-372-8600	Rotor washer	.10
4	6-374-2901	Disc washer	.20	25	6-700-7015	Body	4.25
5	6-375-5301	Drag A washer	.15	26	6-363-7401	Handle screw cap	.50
6	6-370-6901	Drag washer A	.15	27	6-632-6601	Pinion retainer	.10
7	6-731-1508	Spool	N/A	28	6-150-1751	Anti-reverse lever washer	.10
8	6-030-4511	Spool click claw	.10	29	6-540-8001	Anti-reverse lever	.15
9	6-351-7701	Spool click claw screw	.10	30	6-351-1801	Anti-reverse lever screw	.10
10	6-371-8331	Spool washer	.10	31	6-460-7041	Anti-reverse cam	.20
11	6-710-2421	Main shaft	.70	32	6-413-8101	Drive gear	1.75
12	6-735-1012	Rotor	2.75	33	6-480-7501	Oscillating slider	.40
13	6-141-7821	Bail spring	.10	34	6-371-2820	Drive gear washer	.10
14	6-632-6501	Bail spring cover	.15	35	6-121-1211	Oscillating slider pin	.10
15	6-351-1801	Bail spring cover screw	.10	36	6-705-1320	Body cover	1.90
16	6-230-8811	Arm lever	.60	37	6-110-7201	Anti-reverse claw	.20
17	6-130-3201	Bail holder cap	.10	38	6-142-3961	Anti-reverse claw spring	.10
18	6-363-1901	Arm lever screw	.30	39	6-351-7701	Anti-reverse claw screw	.10
19	6-160-0121	Bail washer	.10	40	6-351-5901	Body cover screw	.10
20	6-341-0801	Bail nut	.20	41	6-747-1101	Handle	3.45
21	K-250-1901	Line roller	.30				